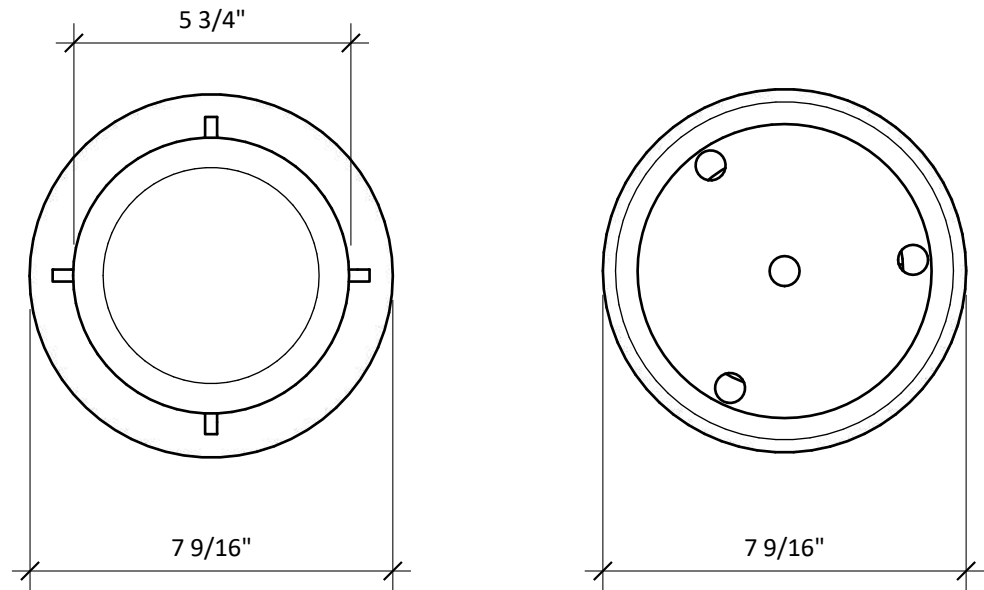


DATE:
WO #:
QTY:
COLOR:



TOP

BOTTOM

Material Cut List:

- 1x @ 34 7/8" Sched 40 Pipe 4"
- 1x @ CNC Base Plate
- 4x @ CNC Fins
- 1x @ Cast Top
- 1x @ Cast Collar

Use guide plate for proper fin welding alignment.

	WISHBONE SITE FURNISHINGS 210-27090 GLOUCESTER WAY LANGLEY, BC			
	DWG. TITLE: DENMAN BOLLARD REVISION: 11/07/23 R:00			
MATERIAL: ALUMINUM	DWG. NO. DWSBPT11072300	DRAWN BY: LALENA BENNETT		
PATTERN NO. N/A	MODEL NO. DB-36	SCALE: AS SHOWN	SHEET: 1 OF 1	DATE: 11 JUL 23